



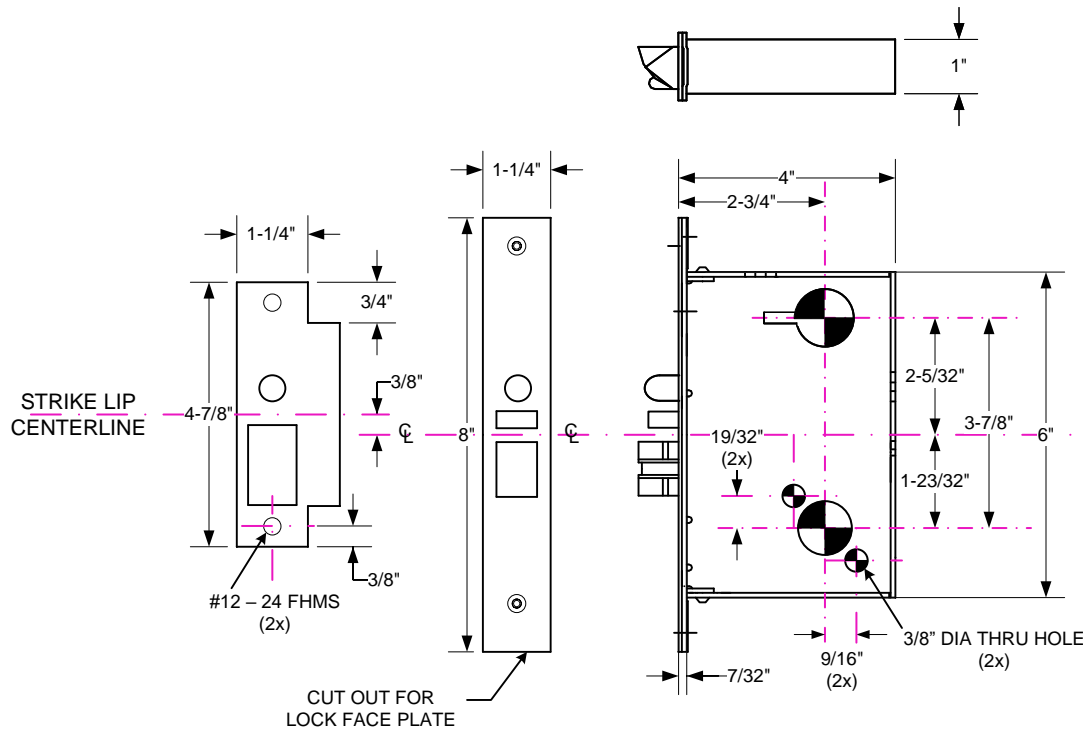
**Z7500 HITOWER PRO SERIES**  
**METAL DOOR, LOCK & TRIM PREP.**  
 FLAT OR BEVELED, HOLLOW METAL DOORS  
 Rose Trim Models: E, G, N & 07  
 Actuator Models: A, B & C

**DIMENSIONAL REFERENCE ONLY**

		OUTSIDE			INSIDE		
FUNCTION		LEVER HOLE	CYLINDER HOLE	THUMBTURN	LEVER	CYLINDER HOLE	THUMBTURN HOLE
**	Z7530	●	●		●	●	
	Z7550	●	●		●		
**	Z7560	●	●		●	●	
	Z7570	●	●		●		

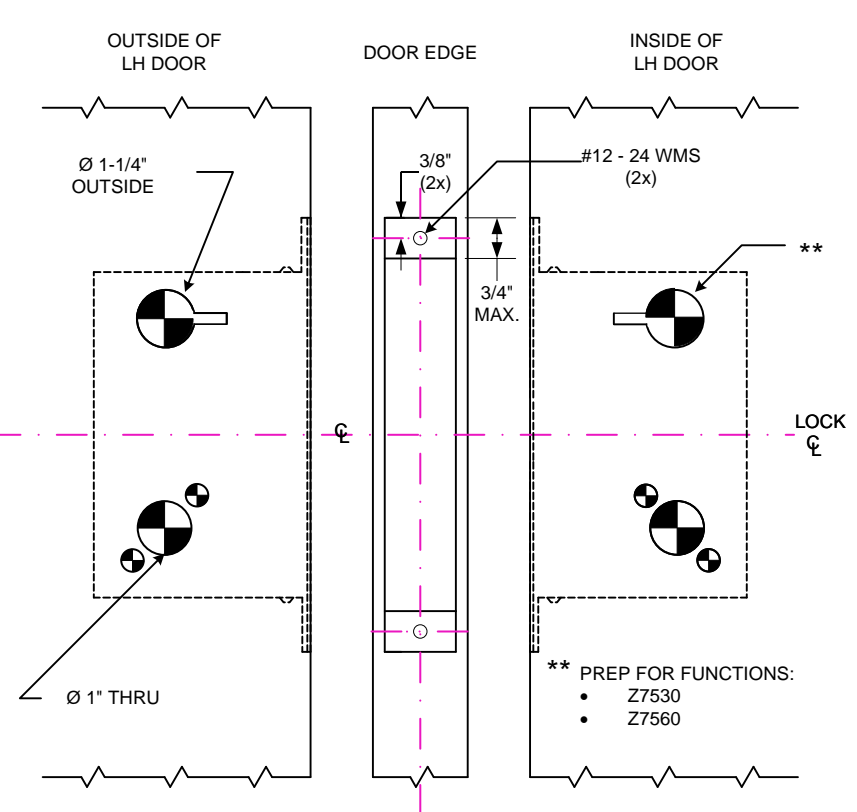
**LOCK DETAIL**

COMMON CENTER LINE  
 LOCK, STRIKE, DOOR



**DOOR DETAIL**

MEASURE BACKSET  
 FROM  $\varnothing$  DOOR EDGE



\*\* PREP FOR FUNCTIONS:  
 ● Z7530  
 ● Z7560

SEE Pg. 3 FOR FRAME  
 PREP



## Z7500 HITOWER PRO SERIES WOOD DOOR, LOCK & TRIM PREP.

FLAT OR BEVELED, WOOD DOORS

Rose Trim Models: E, G, N & O7

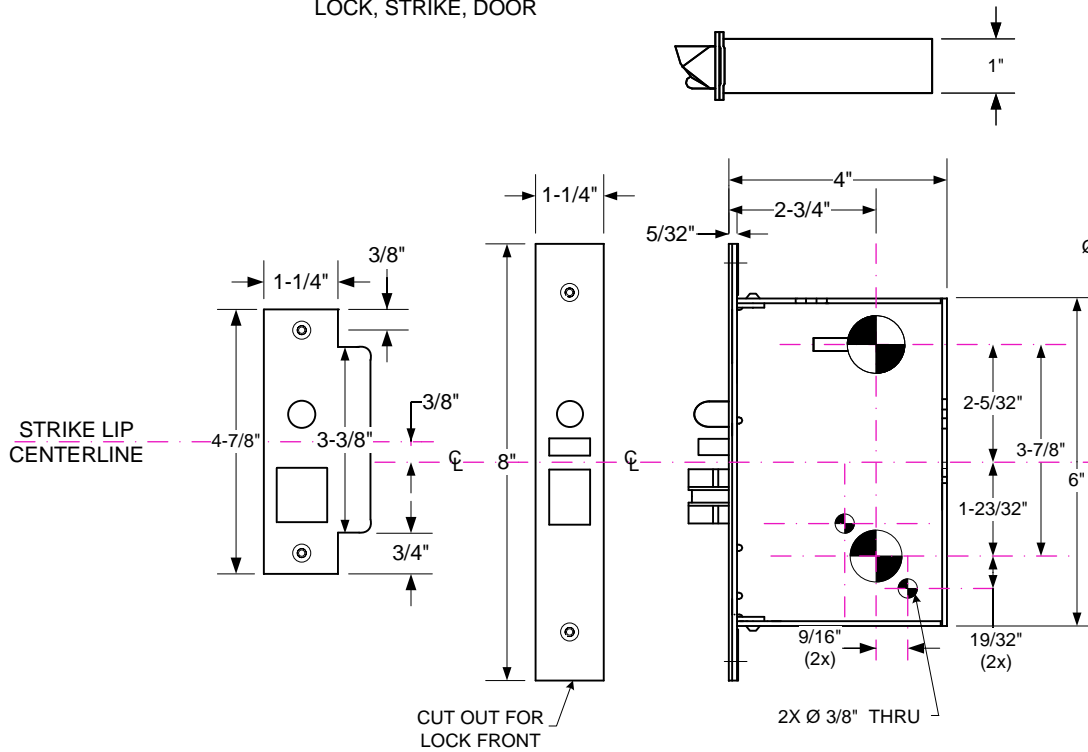
Actuator Models: A, B & C

**DIMENSIONAL REFERENCE ONLY**

CHART FOR DRILLING TRIM HOLES						
OUTSIDE			INSIDE			
FUNCTION	LEVER HOLE	CYLINDER HOLE	THUMBTURN	LEVER	CYLINDER HOLE	THUMBTURN HOLE
**	Z7530	●	●	●	●	
	Z7550	●	●	●		
**	Z7560	●	●	●	●	
	Z7570	●	●	●		

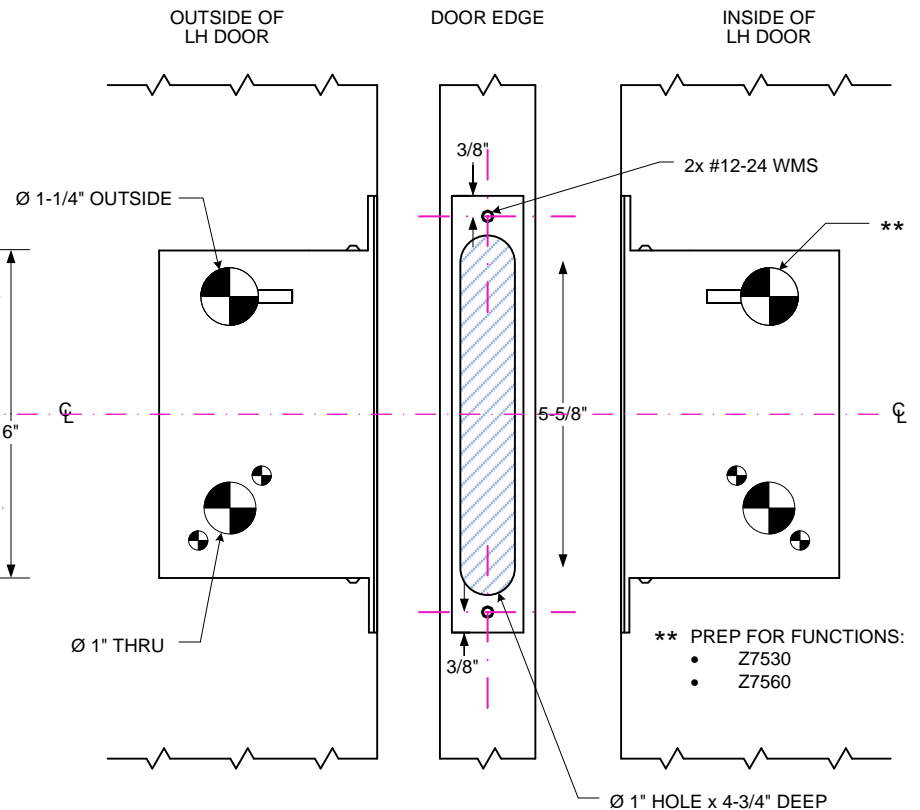
### LOCK DETAIL

COMMON CENTER LINE  
LOCK, STRIKE, DOOR



### DOOR DETAIL

MEASURE BACKSET  
FROM  $\varnothing$  DOOR EDGE



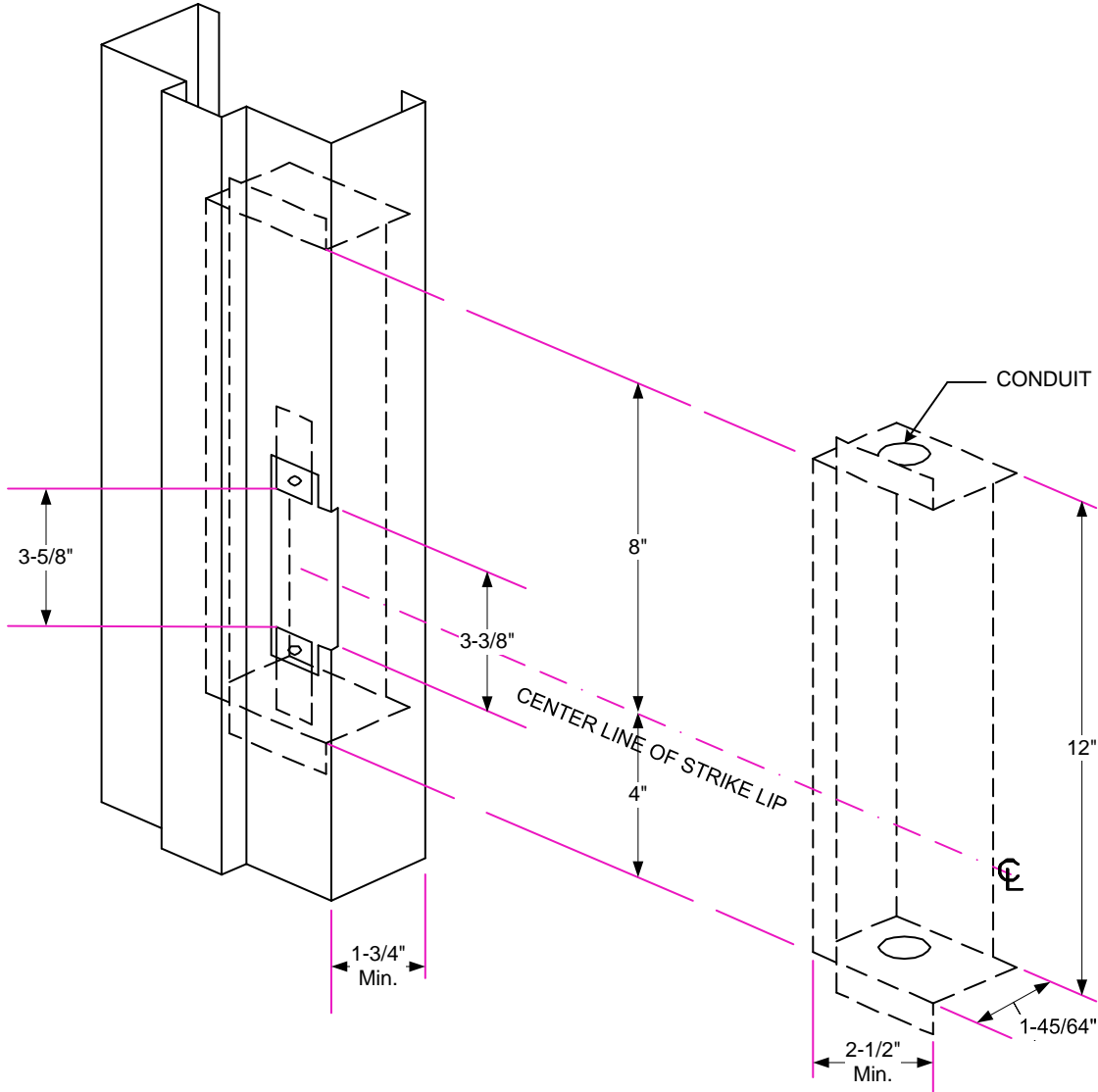
\*\* PREP FOR FUNCTIONS:  
● Z7530  
● Z7560

SEE Pg. 3 FOR FRAME  
PREP



### Z7500 HiTOWER PRO SERIES 1-3/4" ~ 2" METAL FRAME ACTUATOR PREP For Actuator Models: A, B & C

#### DIMENSIONAL REFERENCE ONLY



ELECTRICAL BOX BY FRAME MFG'R

**NOTE:**

- CONCRETE / MASONRY DETAIL SHOWN.
- FOR STRIKE RELATION TO LOCK SEE IMAGE TO THE RIGHT.
- MINIMUM FRAME FACE 1-3/4".

**IMPORTANT**

Details show space requirements for electric controller box. Allowances for different wall construction materials must be taken into consideration. Install conduit connectors in top of box before welding to frame.

**NOTE:**

THE 3-5/8" CLEARANCE BETWEEN THE STRIKE REINFORCEMENT TABS IS CRITICAL \*MAXIMUM THICKNESS OF TABS 1/8"

UL LISTED BOX SHOWN ABOVE IS AVAILABLE FROM SECURITY DOOR CONTROLS. PART #: 7500EB-S

