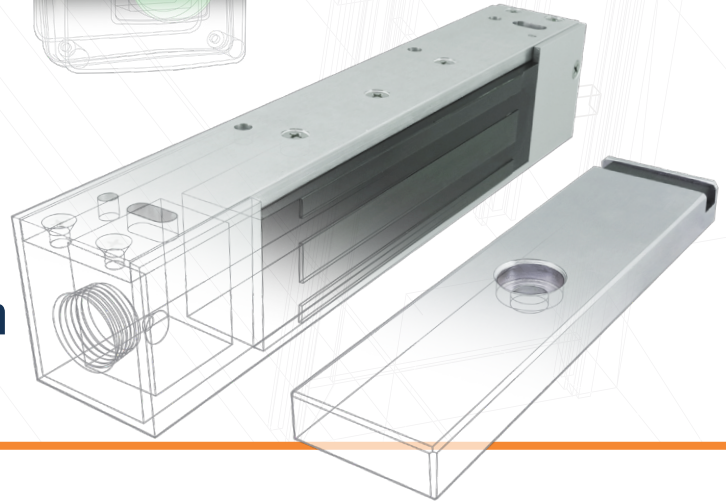


# EXPLOSION PROOF COLLECTION



SDC's Explosion Proof Collection Eliminates Sparks in Hazardous Plant Locations



## Spark and Arc Explosion Prevention

SDC's Explosion Proof Collection is a series of **door access & egress components** all specially designed and explosion proof rated to **National Fire Protection Association (NFPA)** standards. Additionally, these **Explosion Proof Collection** products also meet the temperature requirements of the specific application in which they are to be installed, per **National Electric Code (NEC®)** standards.

They provide **safety, security and risk management** in potentially hazardous location plants and facilities for the following industries:

- Agriculture
- Beverage
- Chemical
- Energy & Utilities
- Food Processing
- Manufacturing
- Mining
- Nuclear Power
- Oil & Gas Refining
- Pharmaceutical

### EP17624 Series Electromagnetic Locks



- Hazardous location design
- Explosion proof epoxy sealed
- Corrosion resistant

### EP499 Series Mushroom Button Exit Switches



- Hazardous location design
- Impact resistant
- Corrosion proof with F1 UV protection

### EP493 Emergency Release Stations



- Hazardous location design
- High strength metal die-cast alloy
- Terminal block connection



*the lock behind the system*

sdccsecurity.com • 800.413.8783



[www.sdccsec.com/hazardous](http://www.sdccsec.com/hazardous)

