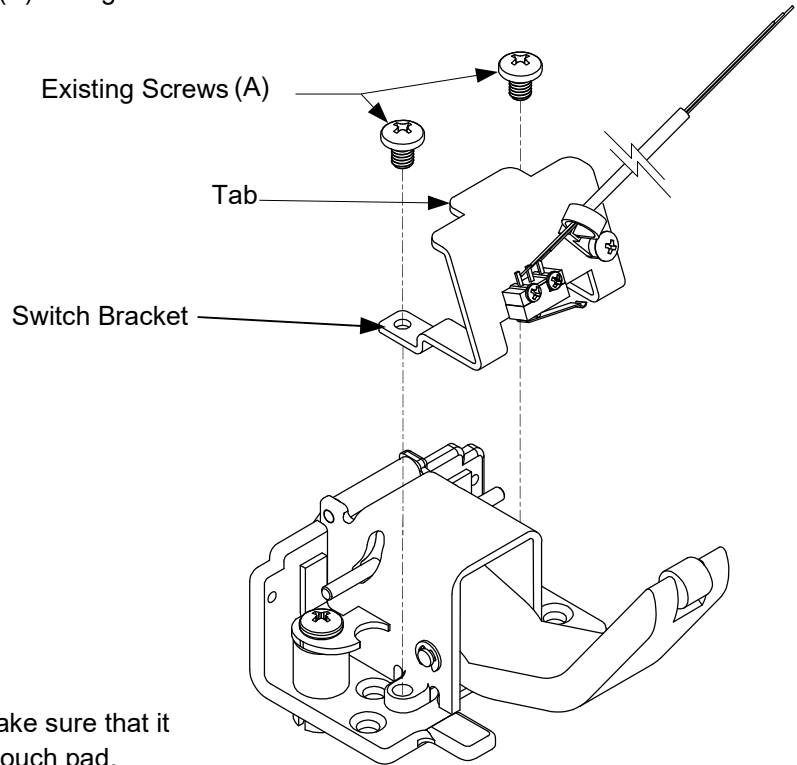




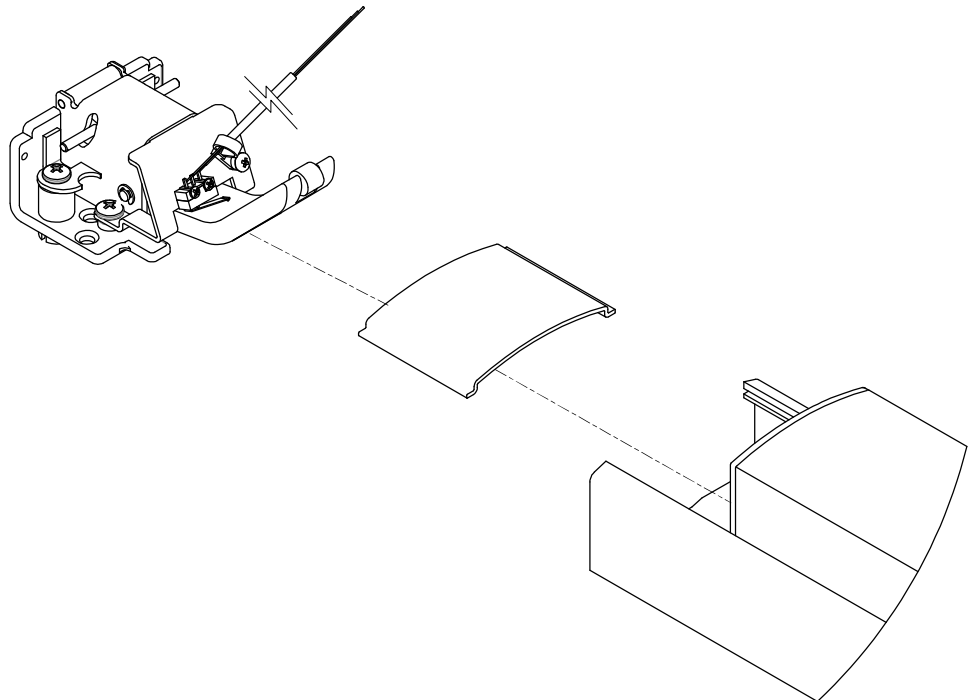
# INSTALLATION INSTRUCTIONS

## LRKWK1L KAWNEER LATCH SWITCH KIT MODEL: 1786 RIM DEVICE

With the head cover off remove existing screws (A). Depress pad and install switch bracket. Making sure that the tab inserts into the head assembly. Re-install screws (A) through switch bracket.



Route wires cable along the side of the device. Make sure that it doesn't interfere with the normal operation of the touch pad.



### WIRING DATA

WHT = COM

ORG = N/C

YEL = N/O

5AMP @ 125VAC

RESISTIVE

Any suggestions or comments to this instruction or product are welcome. Please contact us through our website or email [engineer@sdsecurity.com](mailto:engineer@sdsecurity.com)