



INSTALLATION INSTRUCTIONS

LRFA1R FALCON (DOR-O-MATIC) REX SWITCH KIT MODELS: 1690 & 1790

Attach the switch assembly to the ELR unit with the supplied screws as shown.

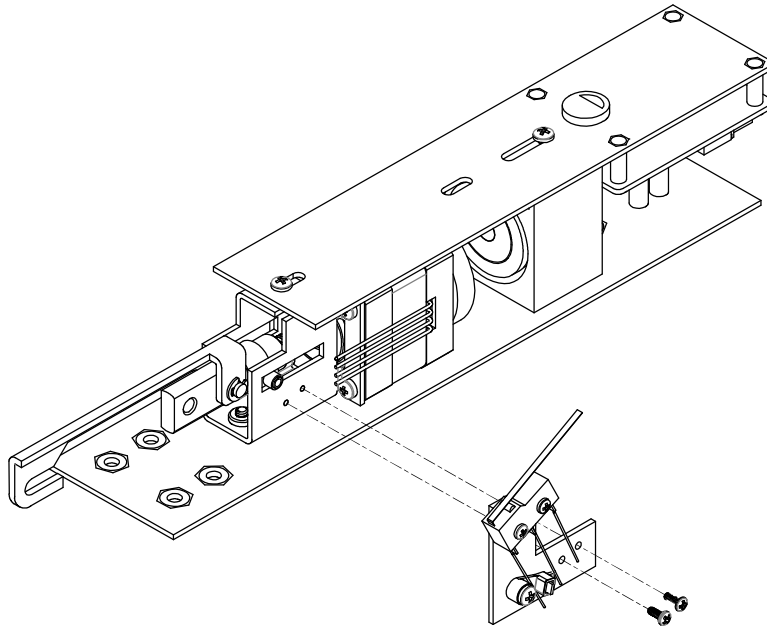
WIRING SPECIFICATION

WHT = COM

YEL = N/C

ORG = N/O

5AMP @ 125VAC
RESISTIVE



Route wires through the cable tie, along the side of the ELR and out.

