



INSTALLATION INSTRUCTIONS

LR100ARK-EM

ADAMS RITE ELECTRIC LATCH RETRACTION DEVICE KIT

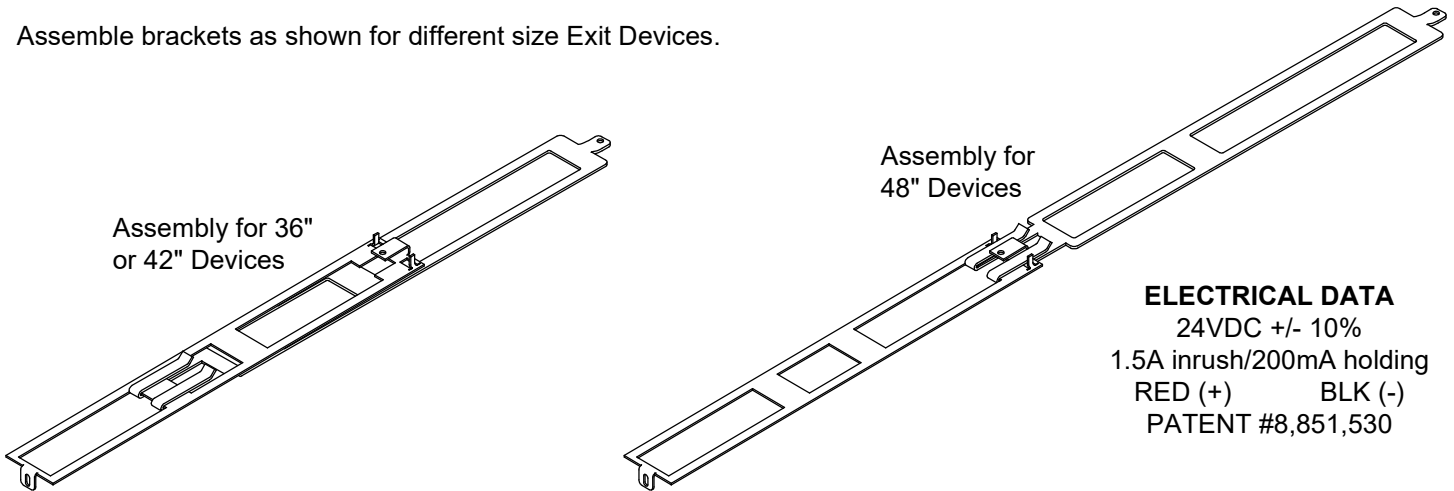
VERTICAL ROD EXIT DEVICE EXTERNAL MODULE

MODELS: 3100, 3600, 8100, 8200, 8500 & 8600

*Visit: sdsec.com/adamsrite
for Installation Video

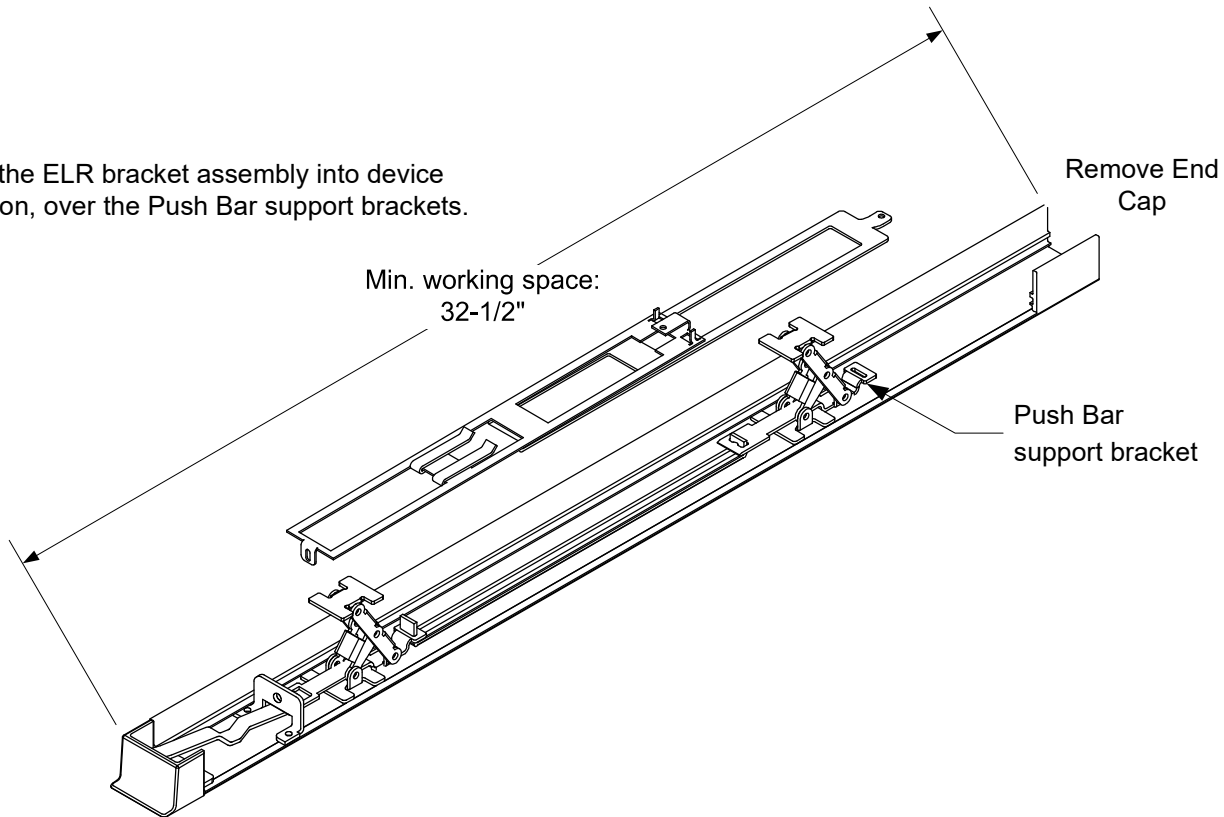
Retrofit Installation Note: 42" or 48" exit devices that have been modified to fit a 36" or smaller opening, may not have the required space to fit the standard E. L. R. assembly. Always verify the distance from the end of the touchpad to the end rail, and if necessary, consult with the factory for appropriate selection.

Assemble brackets as shown for different size Exit Devices.



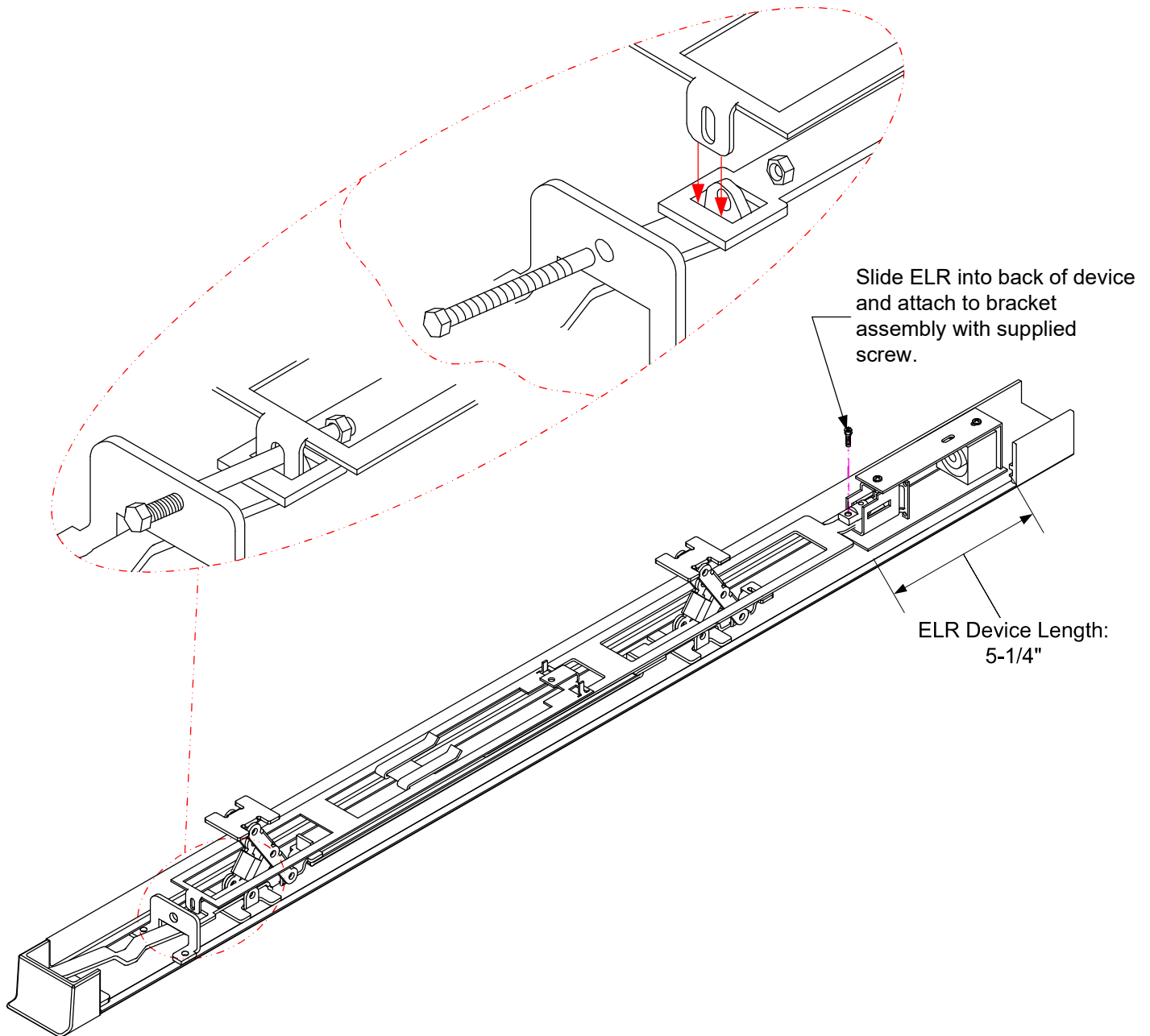
ELECTRICAL DATA
24VDC +/- 10%
1.5A inrush/200mA holding
RED (+) BLK (-)
PATENT #8,851,530

Install the ELR bracket assembly into device extrusion, over the Push Bar support brackets.



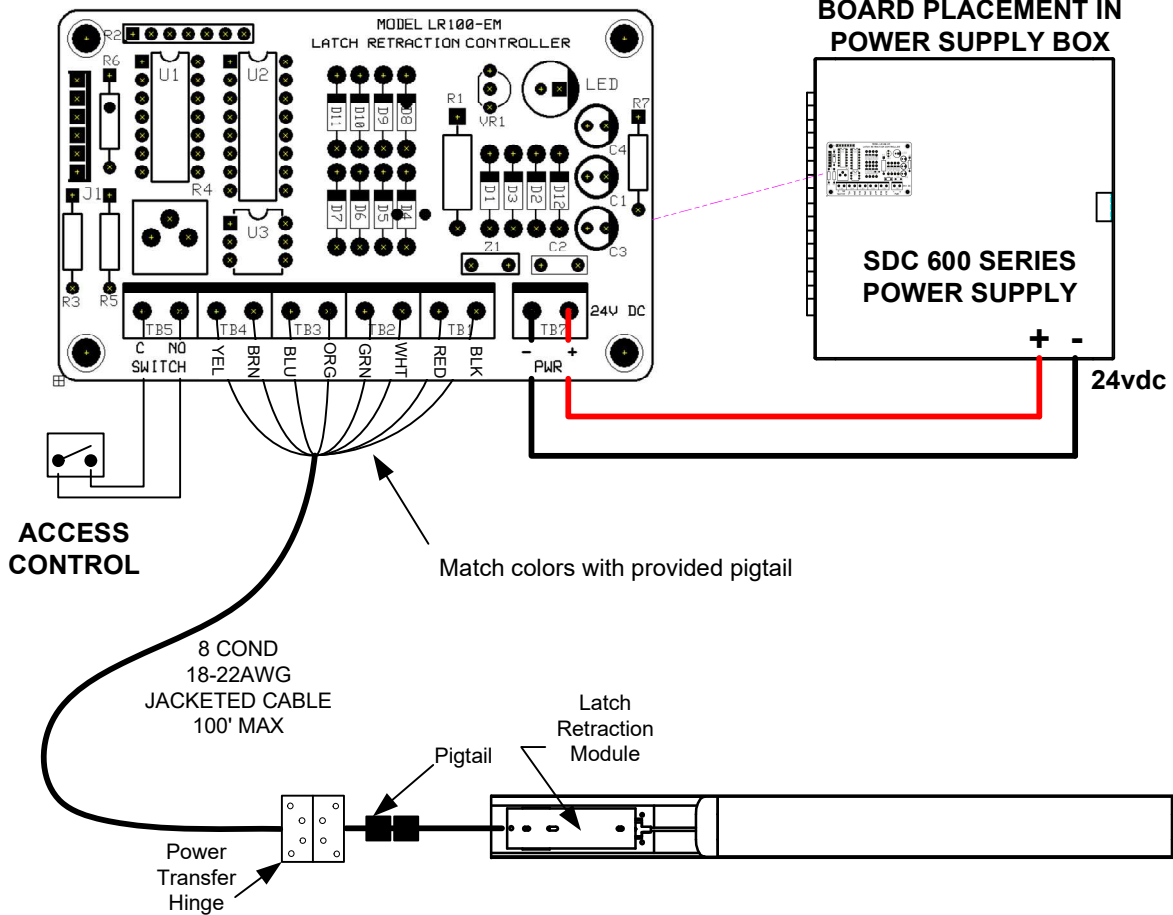
Any suggestions or comments to this instruction or product are welcome. Please contact us through our website or email engineer@sdsecurity.com

Disconnect the spring-bolt latching assembly and use it to connect the ELR bracket assembly to the existing components as shown.



Apply power to the ELR unit to make it draw the sliding latch bracket back to the open position. Secure in position by tightening the set screws in the ELR assembly.

When retrofitting to existing vertical rod devices, adjustment of the rods is required for proper operation of the Electric Latch Retractor. Once the unit is properly installed, energize it so the latch is dogged down, then reconnect the vertical rods to the device and make the proper adjustments to the rods.



Wire colors from provided Pigtail must connect to the same colors marked on PCB. If the Jacketed Cable does not have the same colors as the Pigtail, use the following chart to mark the color connections from Pigtail to Jacketed Cable to PCB.

<u>PIGTAIL</u>	<u>JACKETED CABLE</u>	<u>PCB</u>
BLACK	→	BLACK
RED	→	RED
WHITE	→	WHITE
GREEN	→	GREEN
ORANGE	→	ORANGE
BLUE	→	BLUE
BROWN	→	BROWN
YELLOW	→	YELLOW