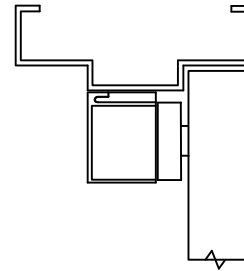
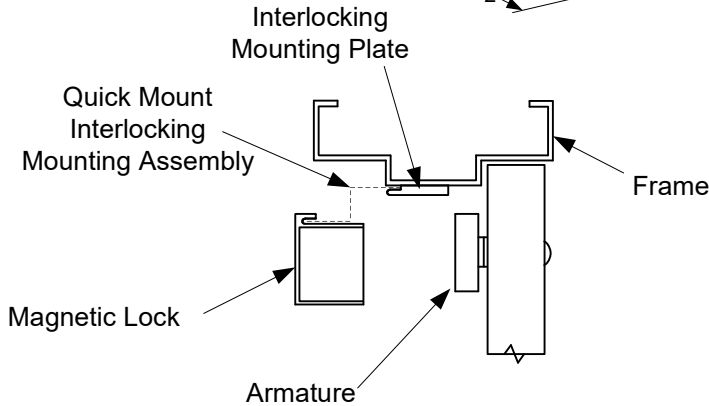
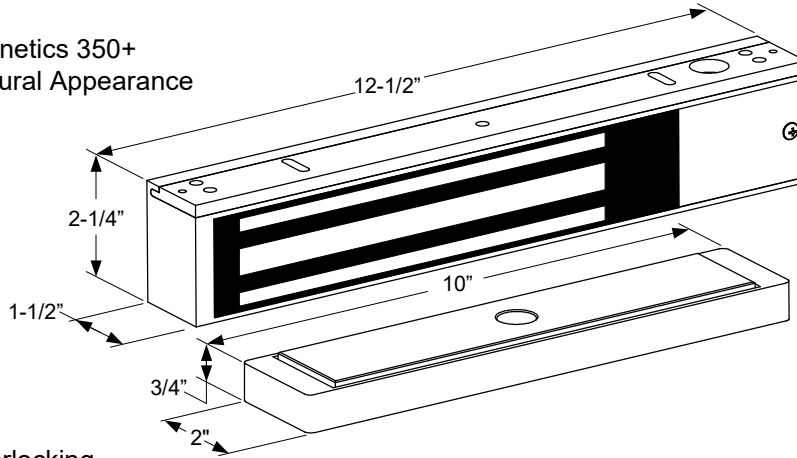




# INSTALLATION INSTRUCTIONS

## 350 NARROW LINE EMLOCK

Retrofits Discontinued Locknetics 350+  
Provides Superior Architectural Appearance



**Outswing**

### Electrical Instructions:

Use properly fused U. L. Listed Power Supply

Do not install a diode in parallel with any magnetic lock. A diode will cause a delay when releasing the door and residual magnetism to occur.

Access controls and/or release contacts must be located in series with the positive (+) power lead of the EmLock.

Any low voltage condition will cause erratic operation of the optional board sensor.

Although SDC recommends the use of a Regulated DC power supply. A significant voltage drop will occur when using a full wave bridge rectifier.

Installation Location – Indoor Dry use only

### SIGNALING



**LISTED**

**PATENT NO. 5,376,910**

### Electrical Specifications:

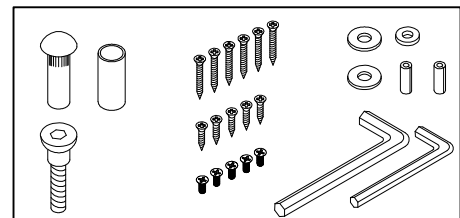
Dual Voltage: 12 or 24VDC

Power Consumption: 560mA@12VDC  
309mA@24VDC

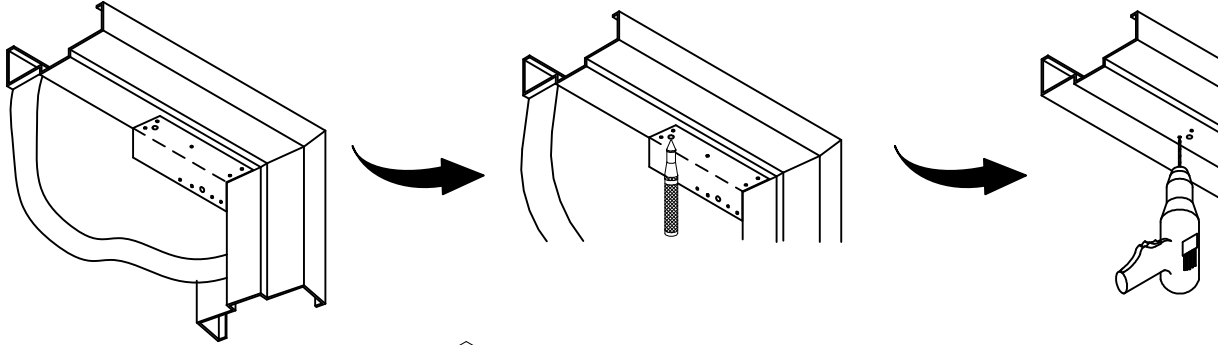
DS Door Status Sensor: SPDT, 250mA@24VDC

LS Lock Status Sensor: SPDT, 1A@24VDC  
Resistive

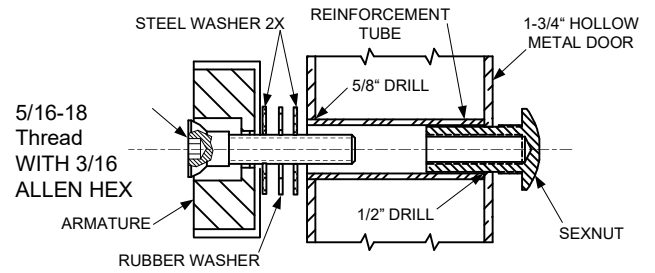
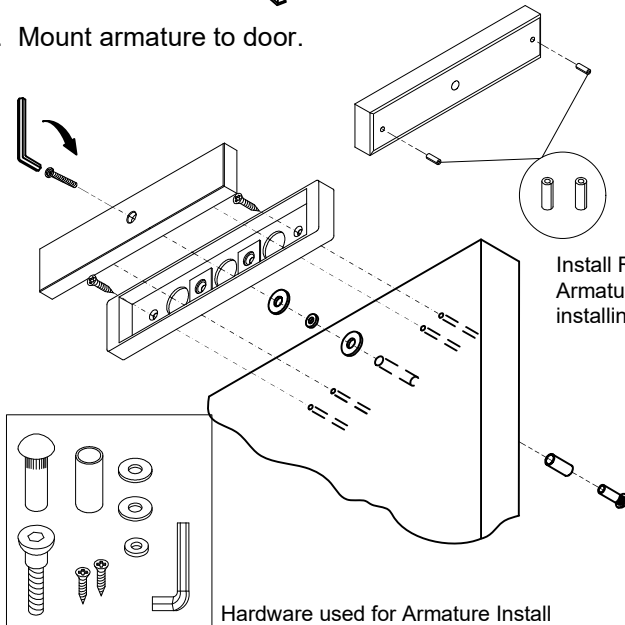
### Supplied Mounting Hardware



1. Fold template as indicated on dotted line. For single doors locate template against the door and header on the lock jamb side of the frame.
2. Mark and drill holes as indicated by the template.



3. Mount armature to door.

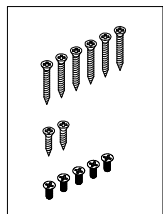


**HOLLOW METAL DOOR**

From Sexnut side of door, drill exactly 1/2" hole thru one metal thickness only. From Armature side of door, drill 5/8" hole to insert reinforcement tube. Press in sexnut and reinforcement tube all the way and mount armature to door using hardware provided.

4. Install the Interlocking Mounting Plate to frame. Loosely fasten the 1/2" self drilling screws to the Mounting Plate as shown below. Temporarily install the lock onto Mounting Plate and adjust the Mounting Plate and lock to the armature spacing between the door and frame. Once adjusted remove lock and tightly fasten all mounting screws. Use the appropriate mounting screw based on frame type.

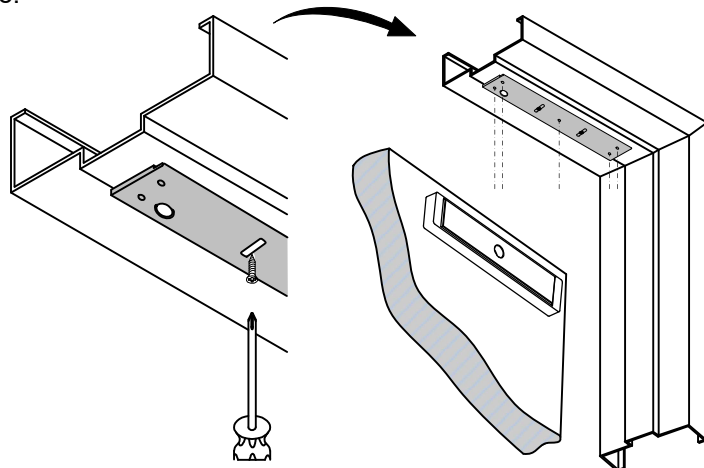
Hardware used for Interlocking Mounting Plate



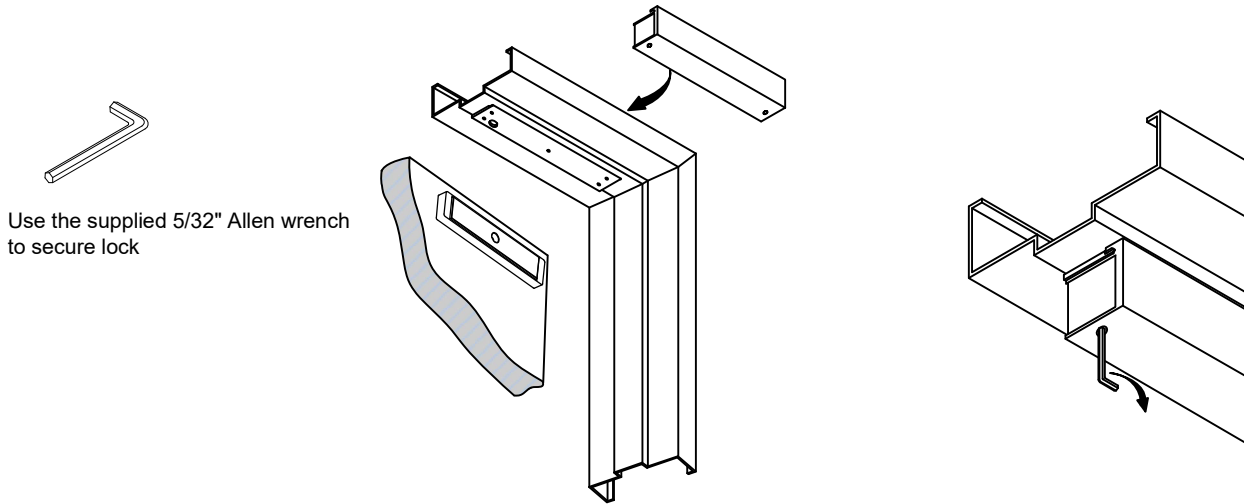
For wood frame install use supplied 1-1/4" wood screws.

Use the supplied 1/2" screws to adjust the interlocking mounting plate.

For metal frame install use supplied (M5 x 4mm) machine Screws

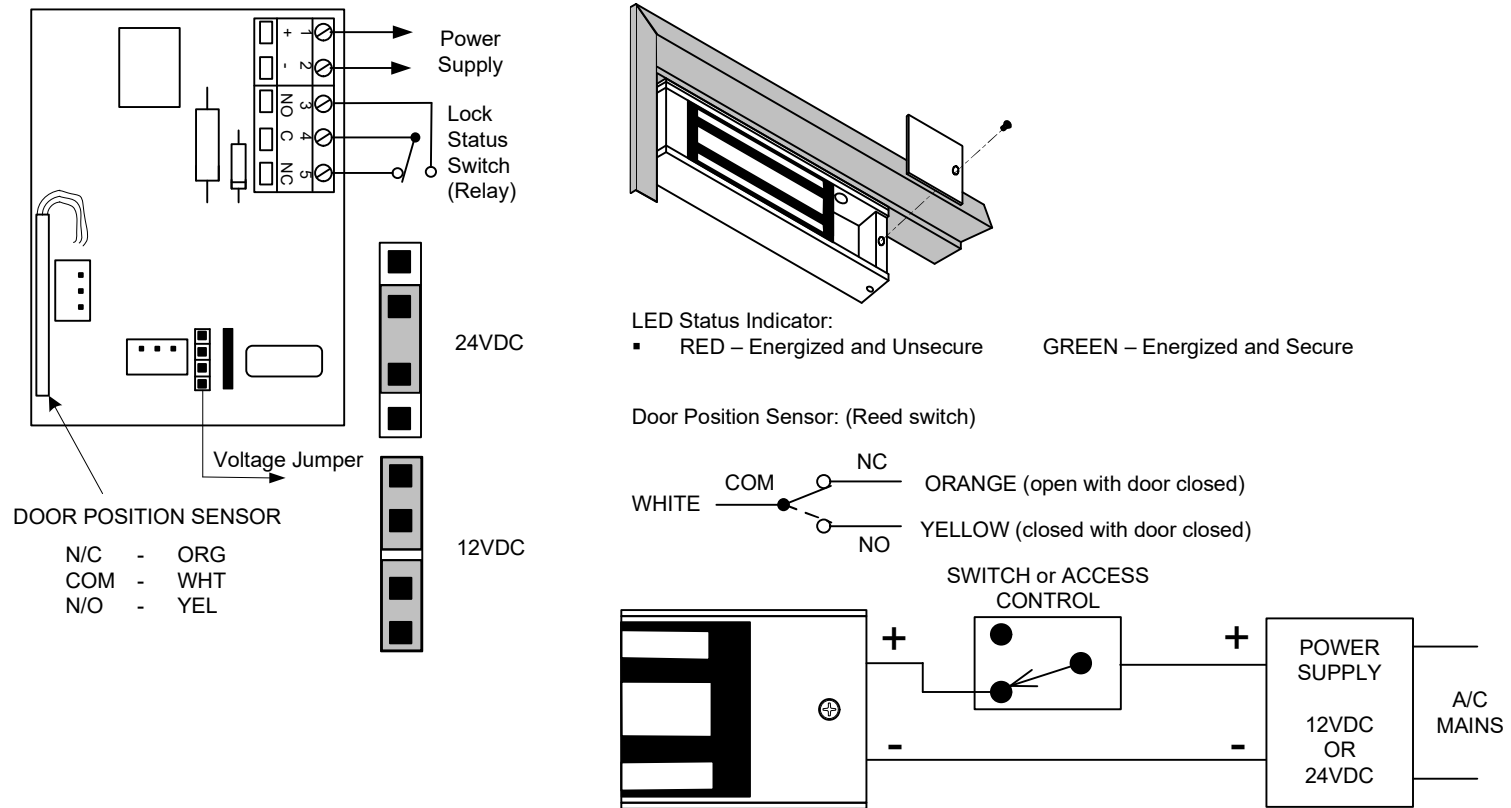


5. Holding the magnet housing at each end, engage the entire length of the interlock detail, by pushing towards the door. Tap with a soft hammer to ensure proper alignment and engagement.



**CAUTION:** The lock body must be held in place until secured by mounting screws. Fasten the pre-installed socket head screws within the lock at each end. Slowly fasten the screws to avoid stripping the threads. Pull wires through frame, interlocking mounting plate and magnet housing

6. Select jumper position for 12VDC or 24VDC. Connect power to magnetic lock.



7. Verify operation. When all is operating properly, close the cover and securely fasten all screws.

**To maintain surface plating from corrosion:**

- Do not touch the lock face with your hands.
- Clean lock face with Scotch-Brite pad by 3M (do not use sandpaper).
- Apply a thin film of rust inhibitor (LPS-3) on lock face.
- Repeat application on armature plate.