

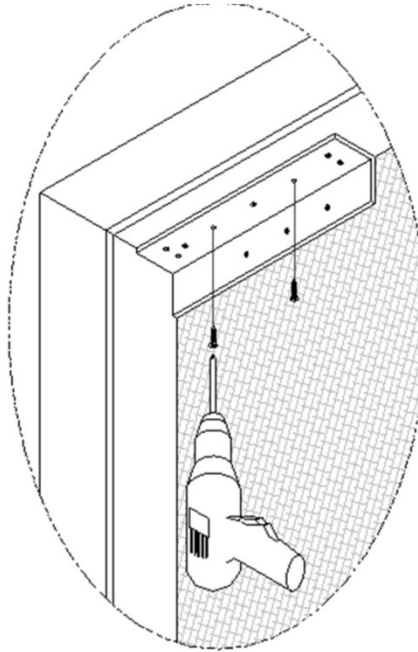
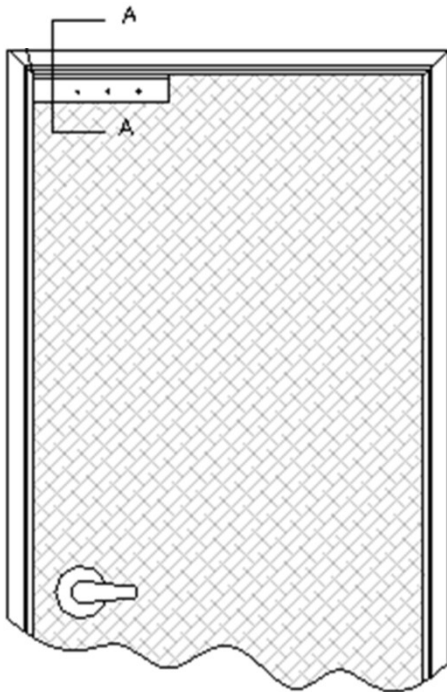


INSTALLATION INSTRUCTIONS

1511-DF & 1581-DF Drill Fixture Reference 1511 & 1581 Series Emlock's

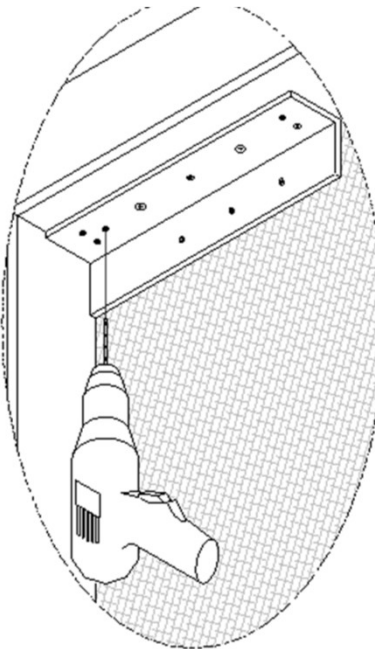
STEP 1

Close and latch door. Place Drill Fixture directly against the Header, Frame and Door



STEP 2

Attach Drill Fixture to Header using (2) self drilling/tapping screws. (These screws are supplied with the lock)



STEP 3

With the Drill Fixture secure to the frame. Drill 1/8" dia pilot holes through all bushings within the Drill Fixture into the Header and Door.

