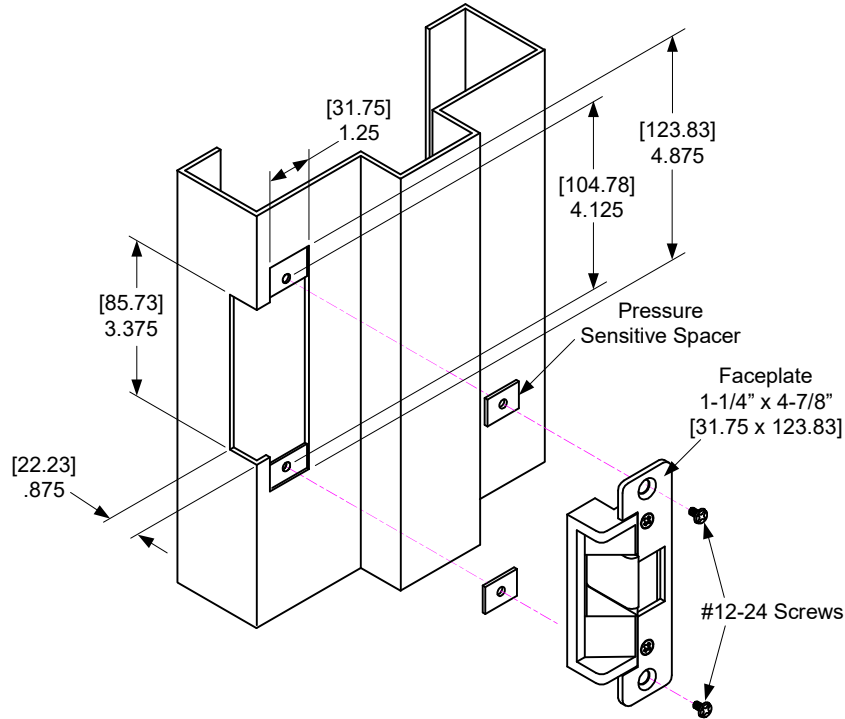




INSTALLATION INSTRUCTIONS

15 SERIES ELECTRIC STRIKE



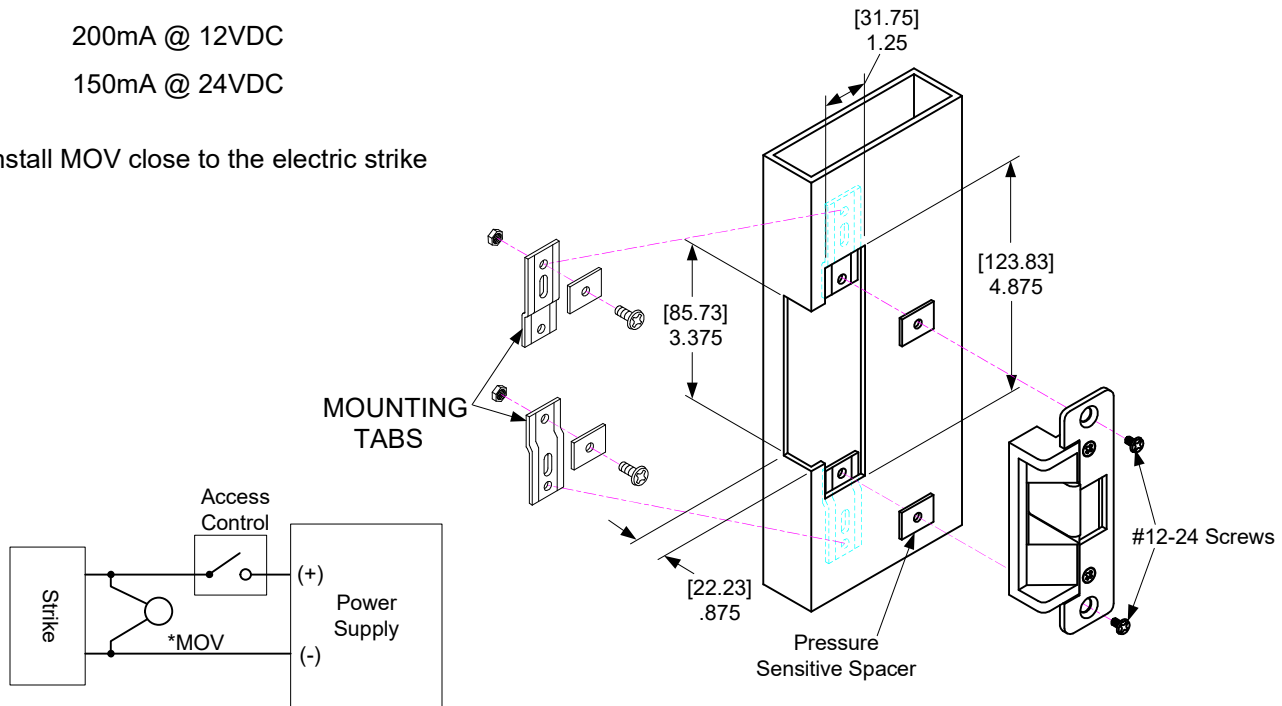
ELECTRICAL DATA

Fail-Safe / Fail-Secure

200mA @ 12VDC

150mA @ 24VDC

*Install MOV close to the electric strike



Any suggestions or comments to this instruction or product are welcome. Please contact us through our website or email engineer@sdsecurity.com