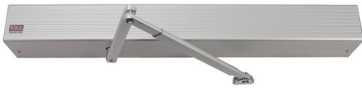


# HANDS FREE DOOR SOLUTIONS™

## ADA Compliant Magnetic Lock Application

### 1 AUTO Series Low Energy Swing Door Operators



- Easy one-man installation
- Single button, self-tuning setup
- Built-in 1 Amp power supply
- On-board lock sequencing
- Hold open feature

### 2 470 Series No Touch Switches



- WAVE-TO-OPEN
- IR sensing technology
- Wave activation up to 5"
- Illuminated dual LED sensor (red/green)

### 3 480 Series ADA Actuators



- PUSH-TO-OPEN plates
- HDPE antimicrobial options
- Single or double gang
- Round and narrow options
- Recessed, surface, and bollard mounting

### 4 920P Series Access Control Keypads

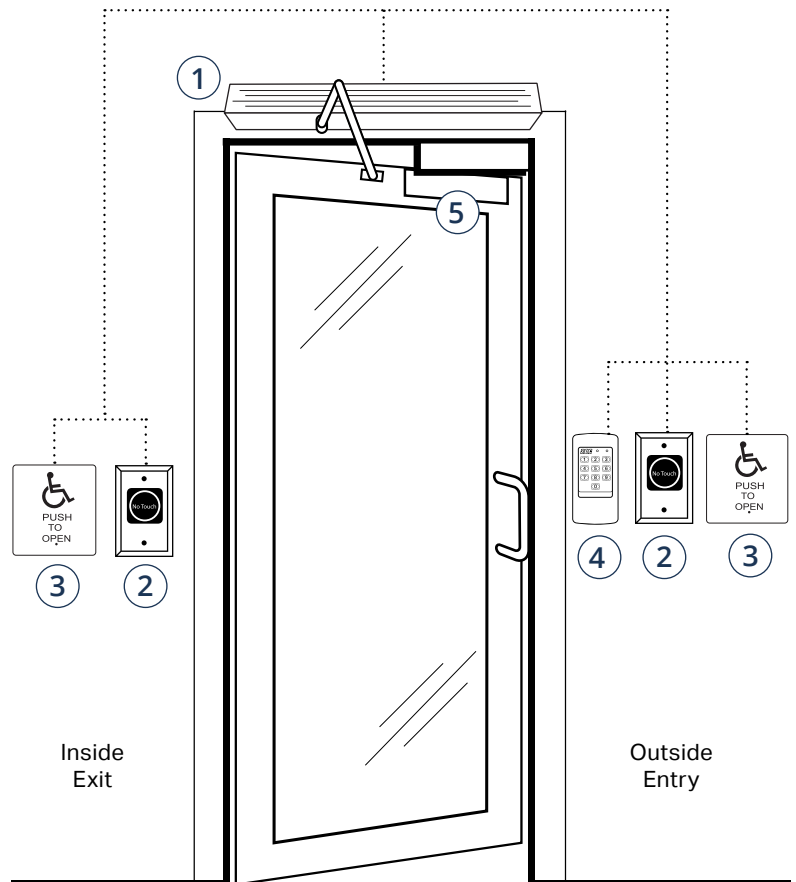


- Built-in prox reader
- Indoor/outdoor use
- Surface or single-gang mount
- Heavy cast vandal resistant housing

### 5 1510 Series Electromagnetic EMLocks®



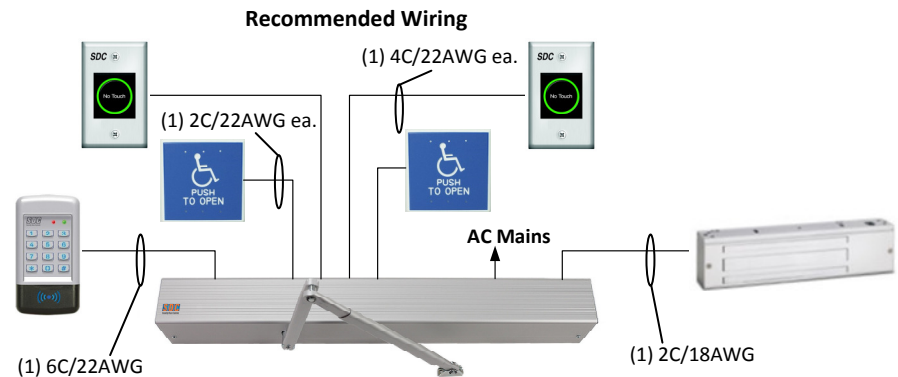
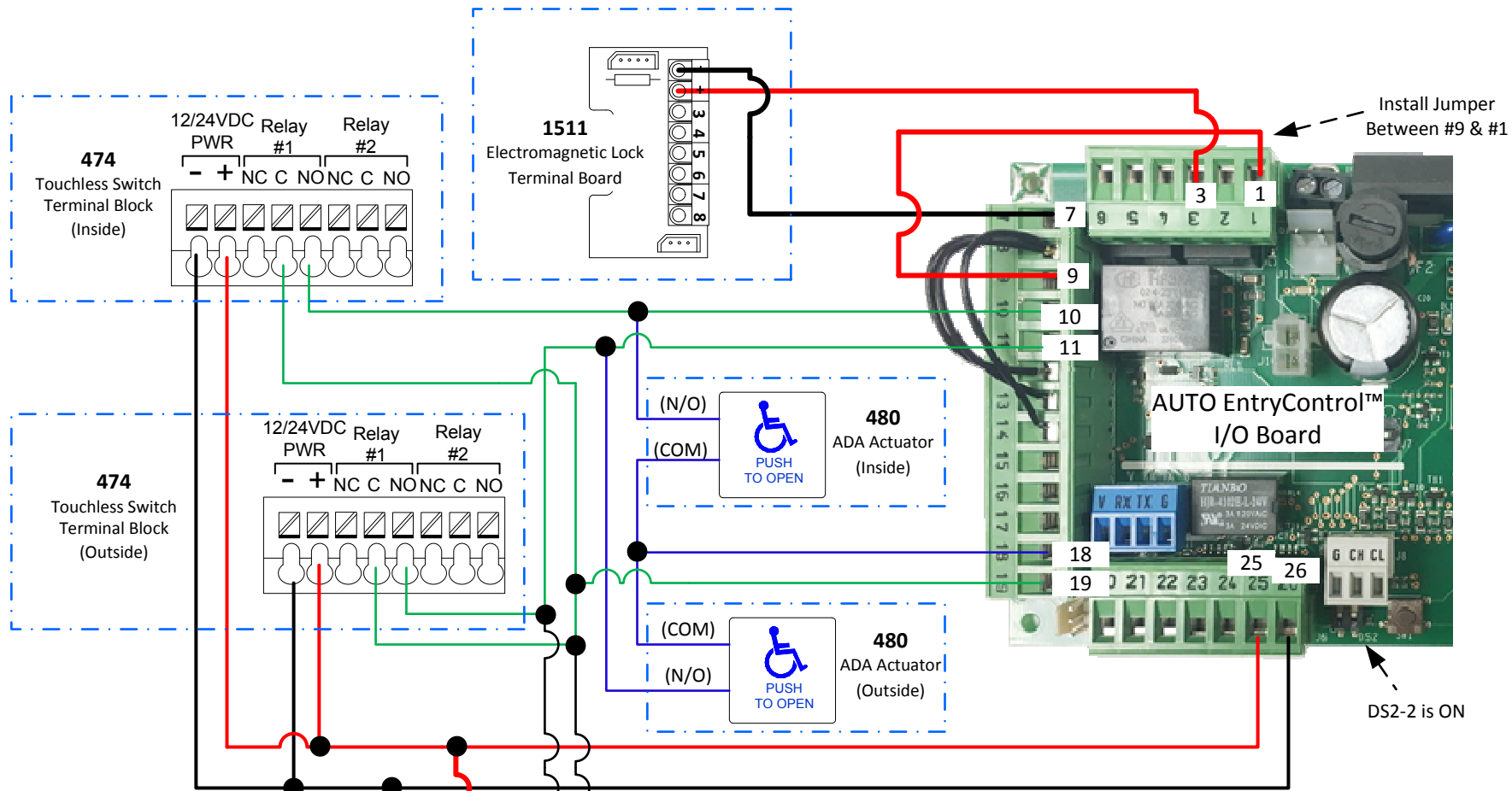
- 1650 lb holding force
- UL listed, grade 1
- Clear anodized aluminum
- Auto-sensing dual voltage
- Optional monitoring



### HANDS FREE DOOR SOLUTIONS™

- Hands Free convenience
- Hands Free code compliance
- Hands Free hygiene and contamination control

Even with national ANSI and ADA standards, building code enforcement relating to automatic doors and switch placement varies across the country. Consult your local authority having jurisdiction (AHJ) for compliance requirements.



© 2020 Security Door Controls Printed in U.S.A



**Security Door Controls**  
 801 Avenida Acaso  
 Camarillo, CA 93012  
 t 805.494.0622 ~ f 805.494.8861  
 www.sdcsecurity.com

NOTE: ALL WIRING MUST BE REVIEWED AND APPROVED BY THE PROJECT ENGINEER ASSIGNED TO THE LOCATION FOR ITS CORRECTNESS AND SUITABILITY FOR THE APPLICATION IN THE WHICH THE EQUIPMENT IS INSTALLED AND OPERATED. ALL WIRING MUST CONFORM TO NATIONAL, STATE, AND LOCAL CODES FOR CLASS 2 FIRE PROTECTION AND CONTROL DEVICES.

PROJECT NAME: -		TITLE: Hands Free Door Solution – EMLock		SO NO.:	REV
LOCATION.:	DIST.:	CONTACT:	DATE:	DWG. NO.:	
-	-	-	--	XXXX	