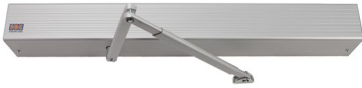


HANDS FREE DOOR SOLUTIONS™

ADA Compliant Latch Retraction Mortise Lockset Application

1 AUTO Series

Low Energy Swing Door Operators



- Easy one-man installation
- Single button, self-tuning setup
- Built-in 1 Amp power supply
- On-board lock sequence
- Hold open feature

2 470 Series

No Touch Switches



- WAVE-TO-OPEN
- IR sensing technology
- Wave activation up to 5"
- Illuminated dual LED sensor (red/green)

3 480 Series

ADA Actuators



- PUSH-TO-OPEN plates
- HDPE antimicrobial options
- Single or double gang
- Round and narrow options
- Recessed, surface, and bollard mounting

4 923P Series

Access Control Keypads



- Built-in prox reader
- Narrow, indoor/outdoor use
- Surface, mullion, or single-gang mount
- Heavy cast vandal resistant housing

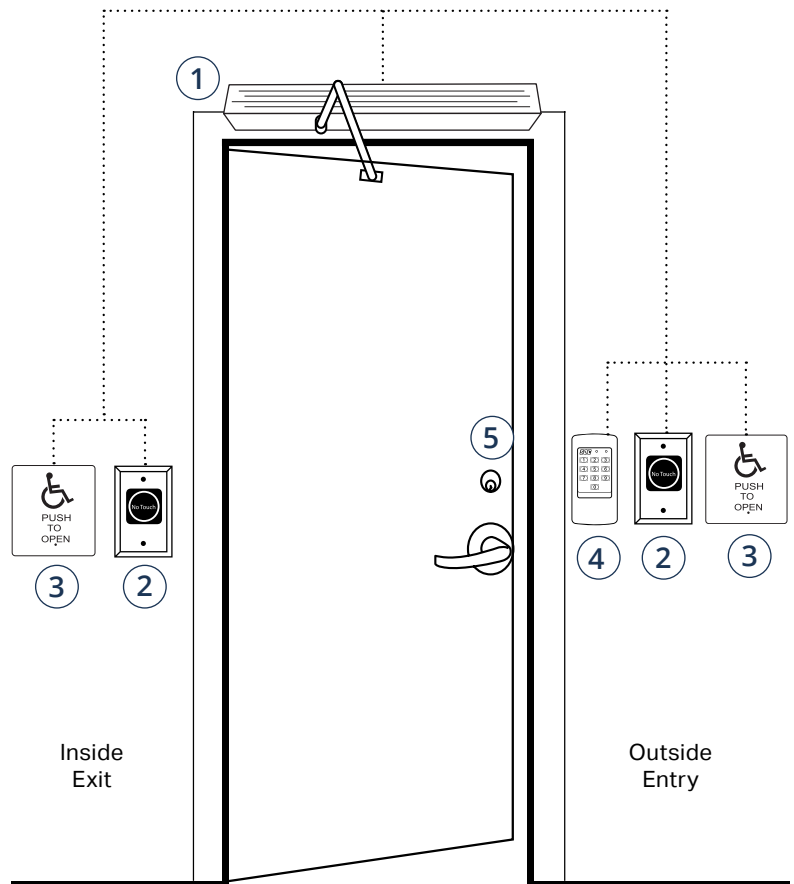
5 Z7600 Series

MLR Controlled Mortise Locksets



- Motorized latch retraction and dogging
- Full monitoring capability
- New construction or retrofit
- 620 inrush, 160mA continuous @24VDC
- Field selectable handing
- Order with or without trim
- Key cylinder latch retraction

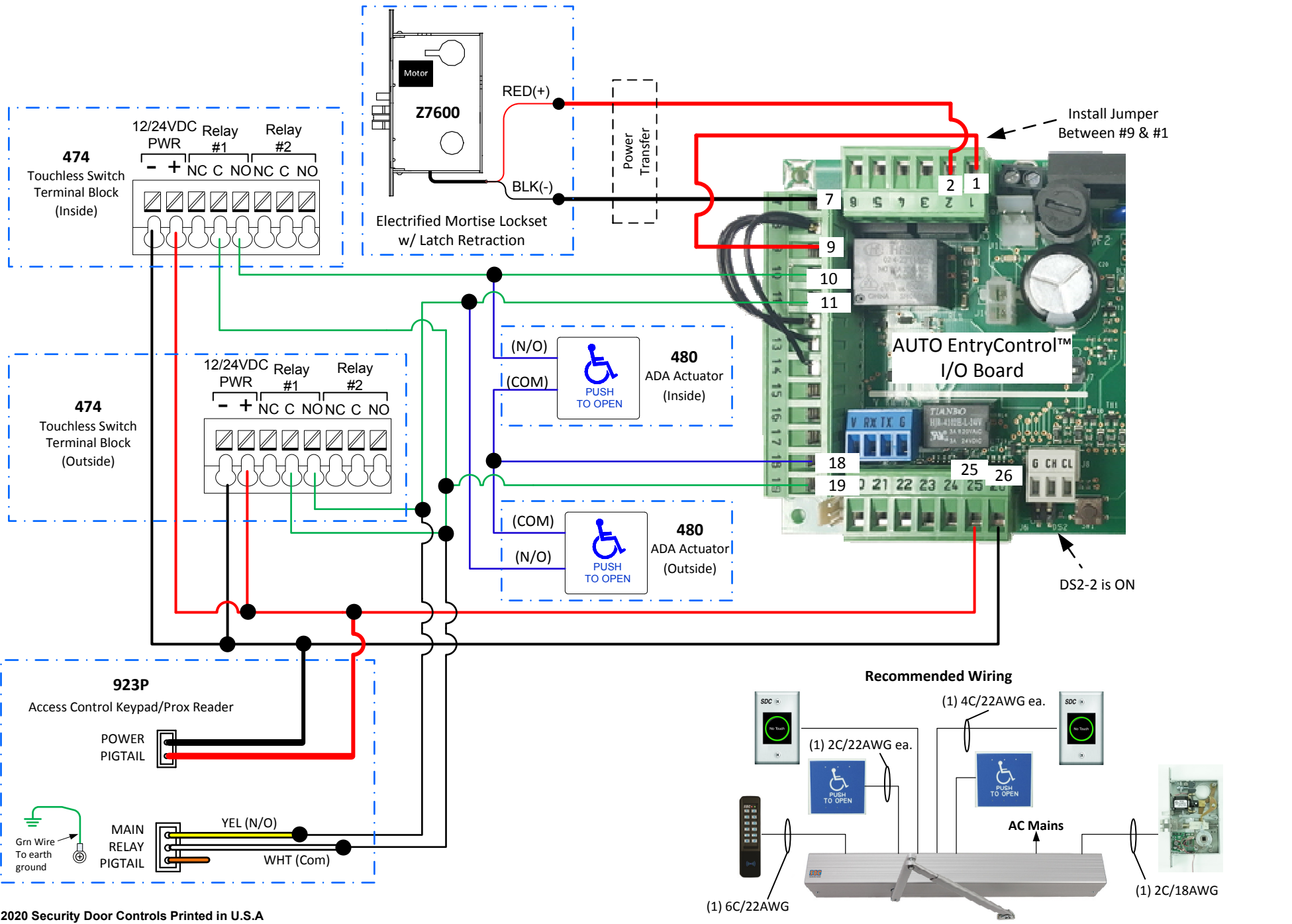
Requires power transfer device such as our PTH-4



HANDS FREE DOOR SOLUTIONS™

- Hands Free convenience
- Hands Free code compliance
- Hands Free hygiene and contamination control

Even with national ANSI and ADA standards, building code enforcement relating to automatic doors and switch placement varies across the country. Contact your local authority having jurisdiction (AHJ) for compliance requirements.



© 2020 Security Door Controls Printed in U.S.A



Security Door Controls
 801 Avenida Acaso
 Camarillo, CA 93012
 t 805.494.0622 ~ f 805.494.8861
 www.sdcsecurity.com

NOTE: ALL WIRING MUST BE REVIEWED AND APPROVED BY THE PROJECT ENGINEER ASSIGNED TO THE LOCATION FOR ITS CORRECTNESS AND SUITABILITY FOR THE APPLICATION IN THE WHICH THE EQUIPMENT IS INSTALLED AND OPERATED. ALL WIRING MUST CONFORM TO NATIONAL, STATE, AND LOCAL CODES FOR CLASS 2 FIRE PROTECTION AND CONTROL DEVICES.

PROJECT NAME:

-

LOCATION.:

-

DIST.:

-

TITLE: Hands Free Door Solution – Z7600

CONTACT:

-

DATE:

--

DRAWN BY:

-

SO NO.:

-

DWG. NO.:

XXXX

REV

-